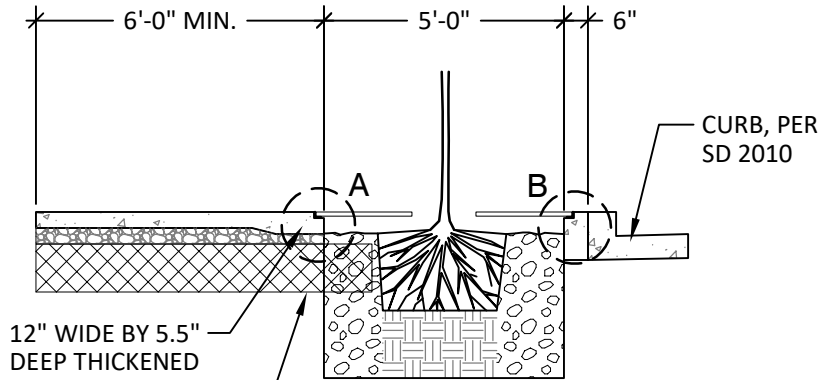
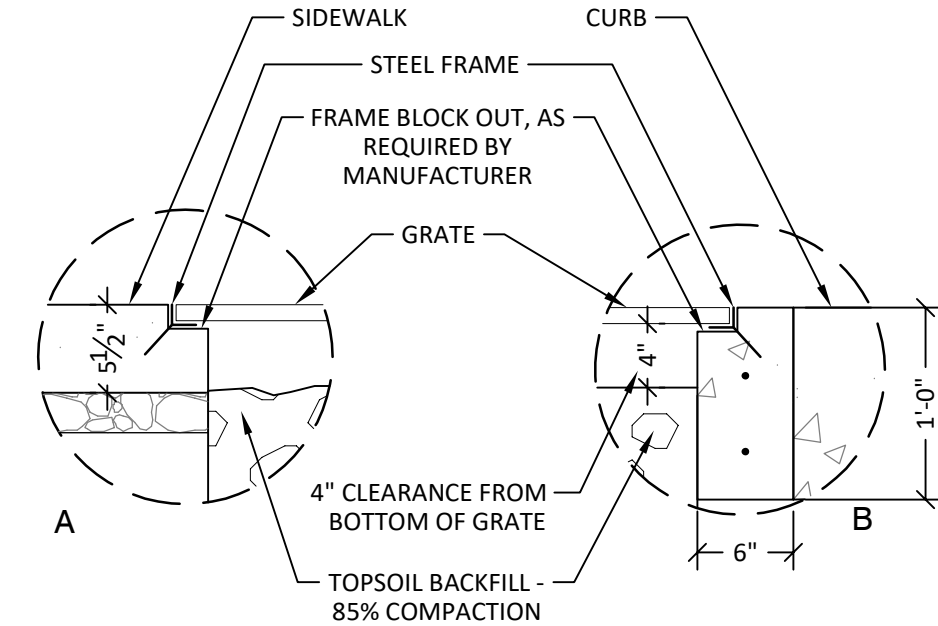


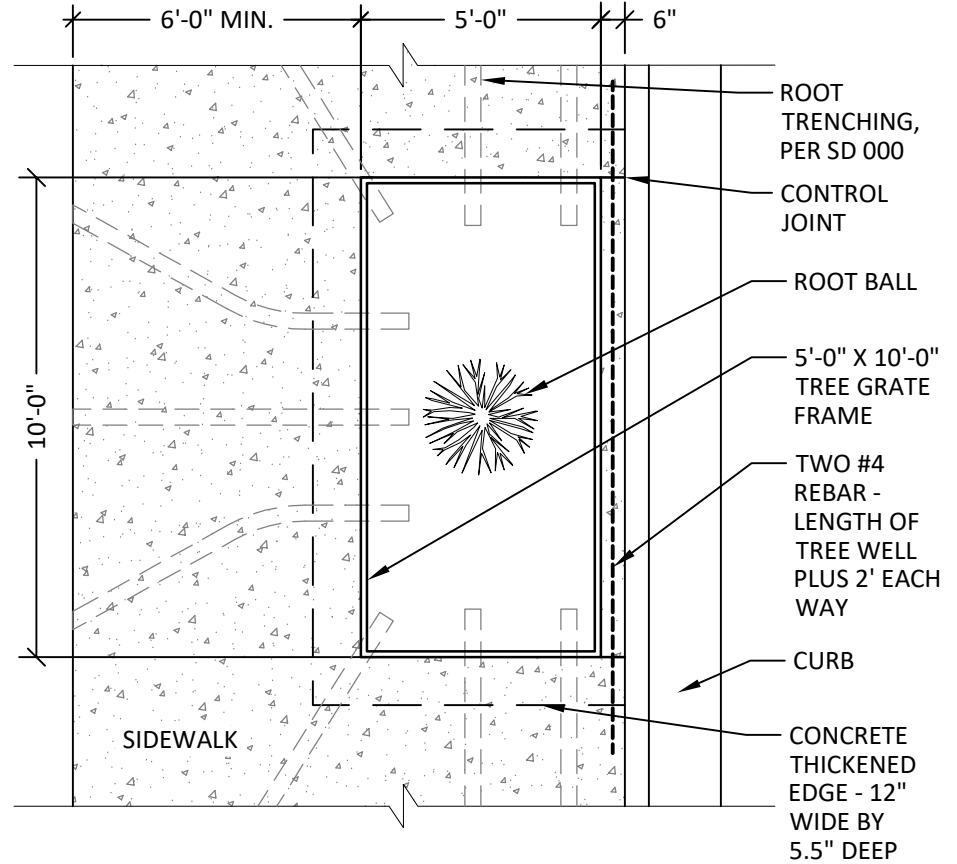
SECTION VIEW



12" WIDE BY 5.5" DEEP THICKENED EDGE AROUND TREE WELL
 ROOT TRENCHING, PER SD 000



PLAN VIEW



NOTES:

1. TREE WELL TO BE MINIMUM 5'-0" BY 10'-0".
2. REFER TO SD 3501, SD 3551, AND SD 3553 FOR ADDITIONAL INFORMATION ON TREE PLANTING AND TREE WELL REQUIREMENTS.
3. CAST IRON TREE GRATE TO BE EAST JORDAN IRONWORKS #00895551C02, OR APPROVED EQUAL.
4. CONTRACTOR TO INSTALL STEEL FRAME AND GRATE PER MANUFACTURERS RECOMMENDATIONS
5. VAULTS, JUNCTION BOXES, VALVE BOXES, ETC. ARE PROHIBITED IN THE TREE WELL SIDEWALK OPENING.

APPROVED BY:

[Signature] 03/16/21

PARKS DIRECTOR

DATE:

POST FALLS STANDARDS FOR R-O-W CONSTRUCTION

**STREET TREE PLANTING -
 TREE WELL GRATE**

STANDARD DRAWING

NO. **SD 3552**