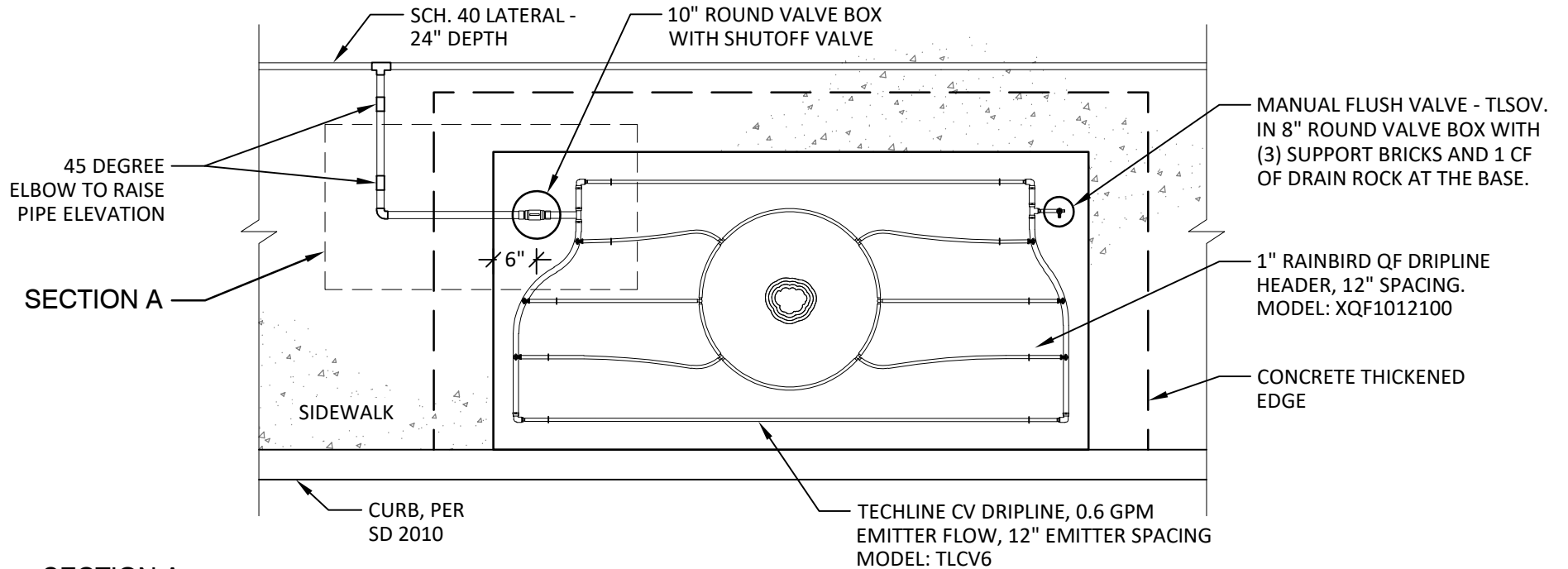
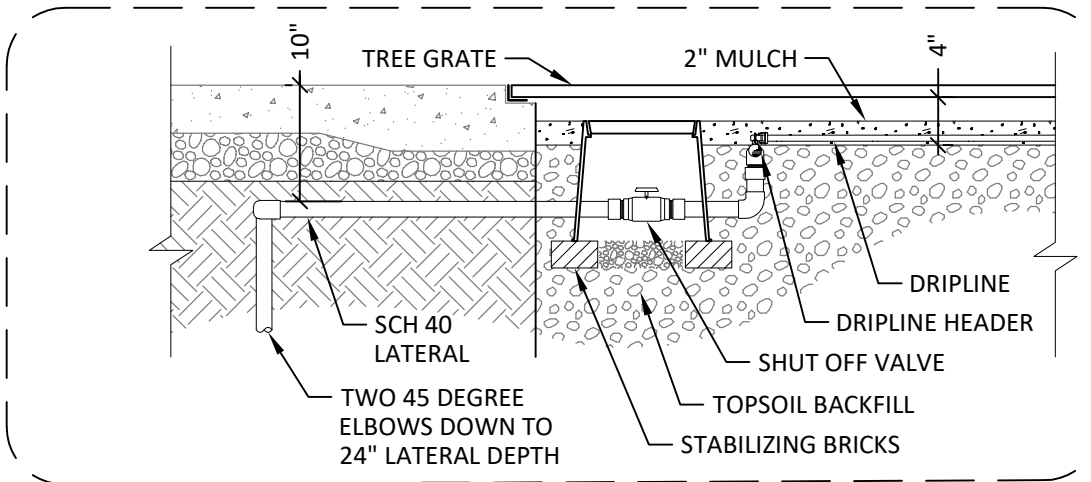


PLAN VIEW



SECTION A



NOTES:

1. REFER TO SD 3501, SD 3551, AND SD 3552 FOR ADDITIONAL INFORMATION ON TREE PLANTING AND TREE WELL REQUIREMENTS.
2. CONTRACTOR TO COORDINATE IRRIGATION INSPECTION WITH CITY STAFF PRIOR TO BACKFILL AND TREE INSTALLATION.
3. OTHER THAN THOSE SHOWN IN THIS DETAIL, VAULTS, JUNCTION BOXES, VALVE BOXES, ETC. ARE PROHIBITED IN THE TREE WELL SIDEWALK OPENING.

APPROVED BY:

[Signature] 03/16/22

PARKS DIRECTOR

DATE:

POST FALLS STANDARDS FOR R-O-W CONSTRUCTION

STREET TREE PLANTING - TREE WELL IRRIGATION

STANDARD DRAWING

NO. **SD 3553**