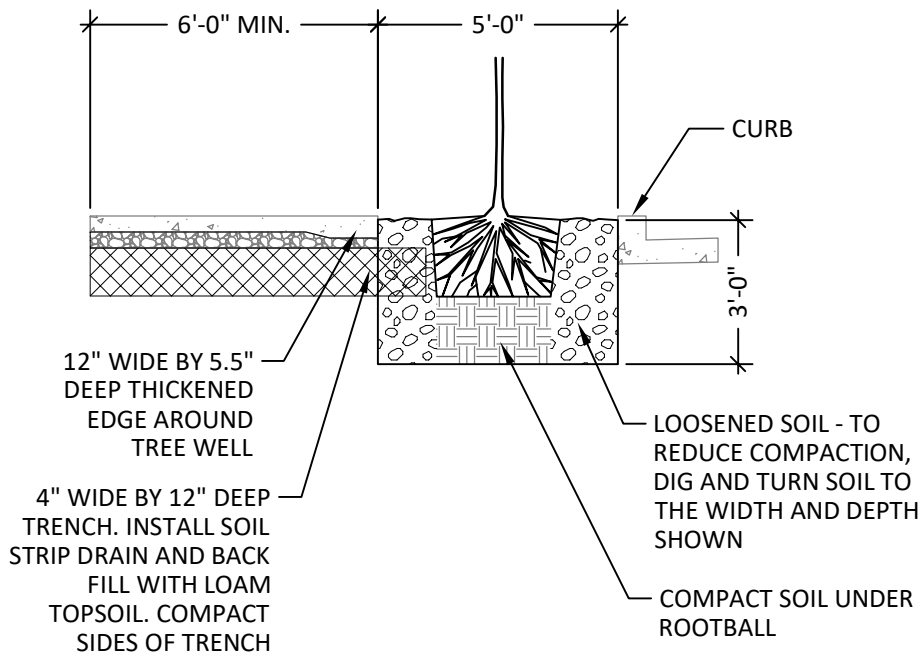


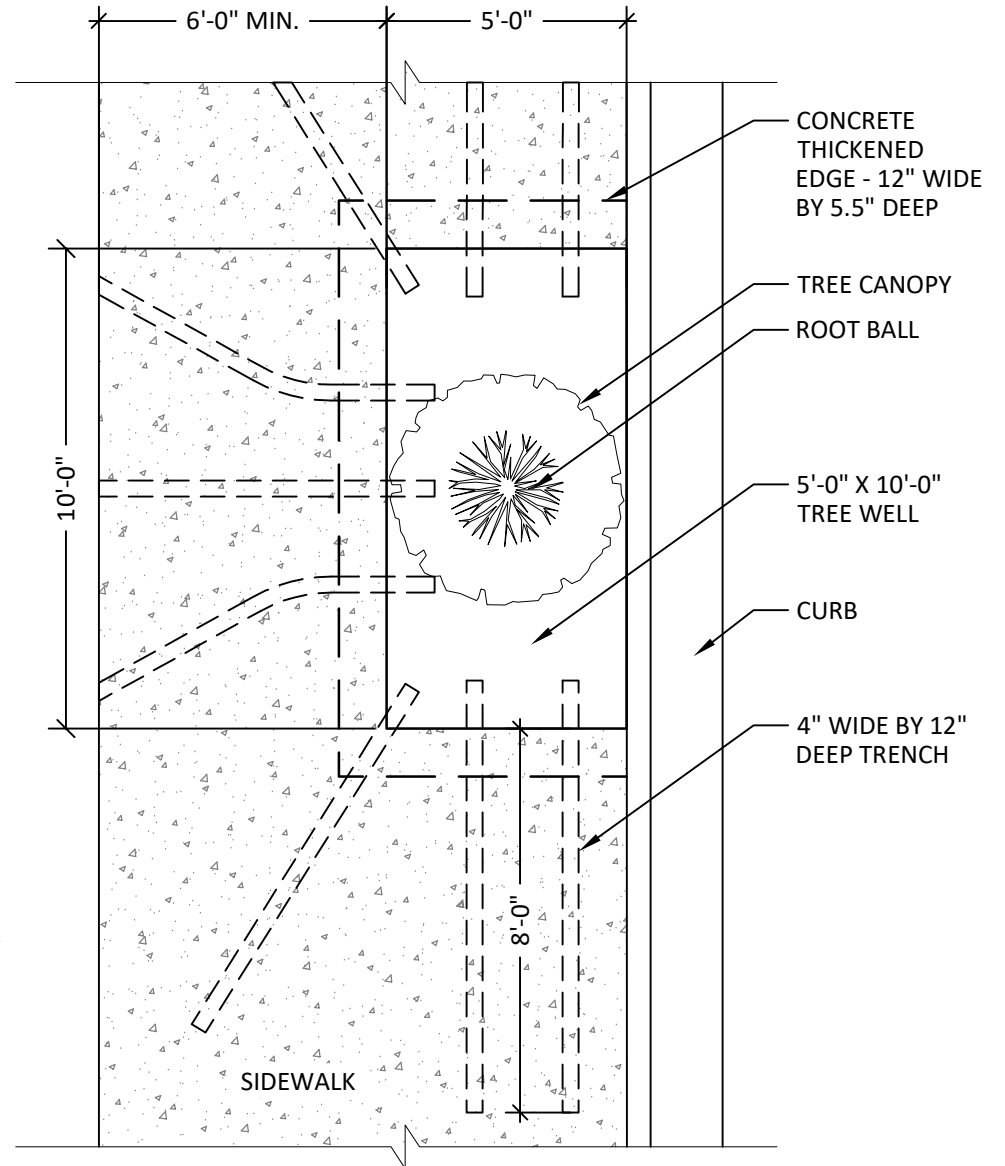
SECTION VIEW



NOTES:

1. TREE WELL TO BE MINIMUM 5'-0" BY 10'-0".
2. REFER TO SD 3501, SD 3552, AND SD 3553 FOR ADDITIONAL INFORMATION ON TREE PLANTING AND TREE WELL REQUIREMENTS.
3. PROVIDE AND INSTALL SOIL STRIP DRAIN IN TRENCH. EXTEND 12" INTO THE TREE WELL.
4. INSTALL STRIP DRAIN UNDER SIDEWALKS ONLY. INSTALL UNDER COMPACTED GRAVEL BASE.
5. REFER TO MANUFACTURES INSTALLATION INSTRUCTIONS FOR FURTHER INFORMATION.
6. VAULTS, JUNCTION BOXES, VALVE BOXES, ETC. ARE PROHIBITED IN THE TREE WELL SIDEWALK OPENING.

PLAN VIEW



APPROVED BY:

[Signature] 03/16/22

PARKS DIRECTOR

DATE:

POST FALLS STANDARDS FOR R-O-W CONSTRUCTION

**STREET TREE PLANTING -
TREE WELL RADIAL ROOT TRENCHING**

STANDARD DRAWING

NO. **SD 3551**